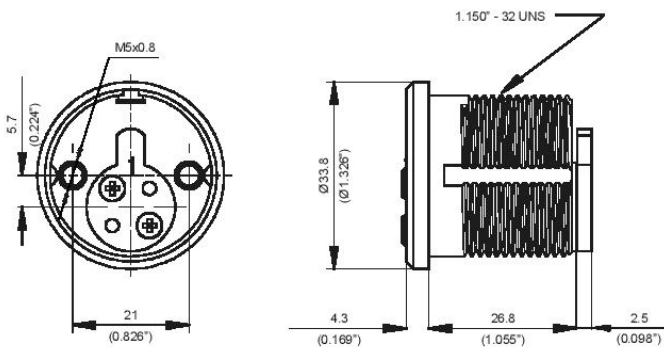


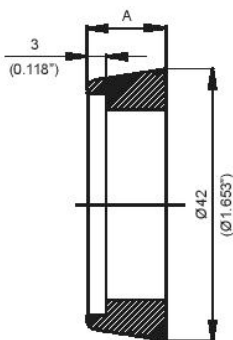
Rim / Mortise Cylinder

Rim / Mortise Cylinder

Dual purpose cylinder, combination of rim and mortise cylinders in one.
Compatible with residential and commercial door lock-sets.



Spacer ring



A	
mm	Inch
Flat ring**	
5.7*	0.224
8.9	0.350
12.2	0.480
15.5	0.610

*Supplied as standard

**For rim application

Operation:

360 rotation by operating the key or thumb turn.

Material:

Brass Body and plug, Nickel silver and stainless steel pins.

Standard Finish:

Nickel Chrome matt, nickel chrome, shiny brass.
(Antique bronze, black, antique brass and PVD are optional upon request).

Keys:

Reversible Nickel Silver keys with plastic key head.
(Optional all nickel silver key)
All locks are made according to EN 1303 standard.