

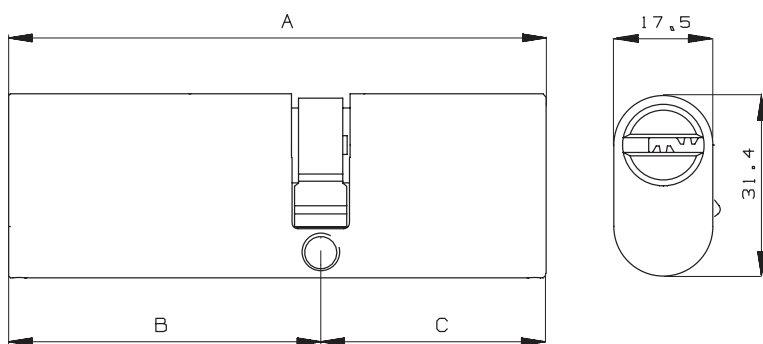
Oval Profile Cylinder



Oval profile cylinder designed for use in various door widths and lock case consist of oval profile measures.



Double Cylinder



Operation:

360 rotation by operating the key or thumb turn.

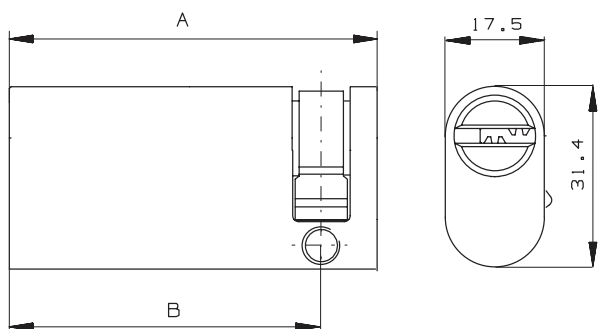
Material:

Brass Body and plug, Nickel silver and stainless steel pins.

Standard Finish:

Nickel Chrome matt, nickel chrome, shiny brass.
(Antique bronze, black, antique brass and PVD are optional upon request).

Single Cylinder



Keys:

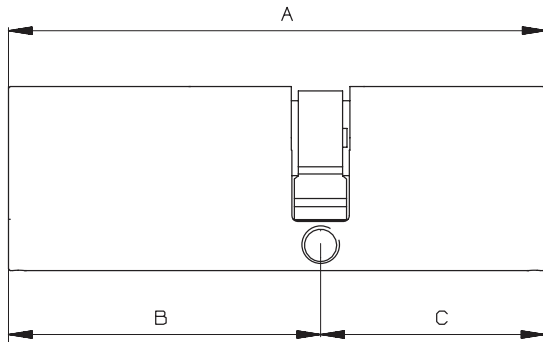
Reversible Nickel Silver keys with plastic key head.
(Optional all nickel silver key)

- All locks are made according to EN 1303 standard.

Oval Profile Cylinder



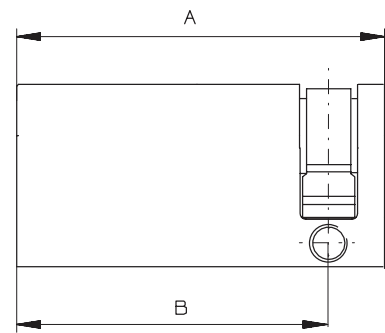
Lengths Available (mm)



Double Cylinder

A	B	C
62	31	31
66	33	33
70	35	35
71	33	38
75	35	40
76	33	43
80	35	45
80	40	40
85	35	45
85	40	40
90	35	55
90	40	50
90	45	45
95	35	60
95	40	55

A	B	C
95	45	50
100	35	65
100	40	60
100	45	55
100	50	50
105	35	70
105	40	65
105	45	60
105	50	55
110	40	70
110	45	65
110	50	60
115	45	70
115	50	65
120	50	70



Single Cylinder

A	B
42.5	33
44.5	35
49.5	40
54.5	45
59.5	50
64.5	55
69.5	60
74.5	65
79.5	70