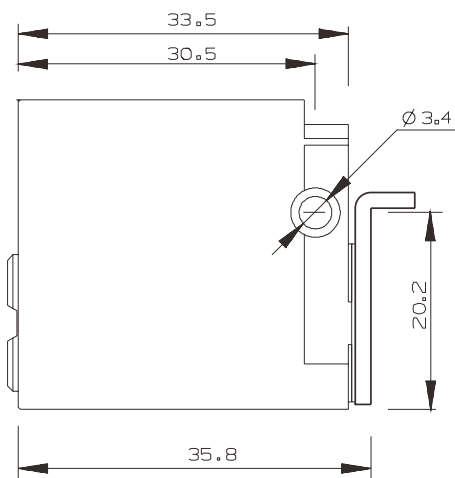
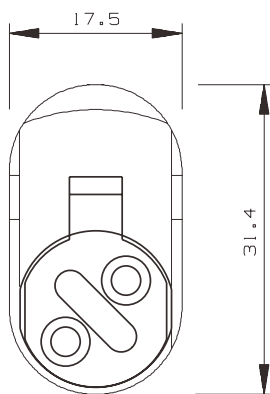


Lockwood Cylinder



For use with “lockwood”
type lock case.



Operation:

360 rotation by operating the key
or thumb turn.

Material:

Brass Body and plug, Nickel silver and
stainless steel pins.

Standard Finish:

Nickel Chrome matt, nickel chrome,
shiny brass.
(Antique bronze, black, antique brass
and PVD are optional upon request).

Keys:

Reversible Nickel Silver keys with
plastic key head.

(Optional all nickel silver key)

- All locks are made according to
EN 1303 standard.