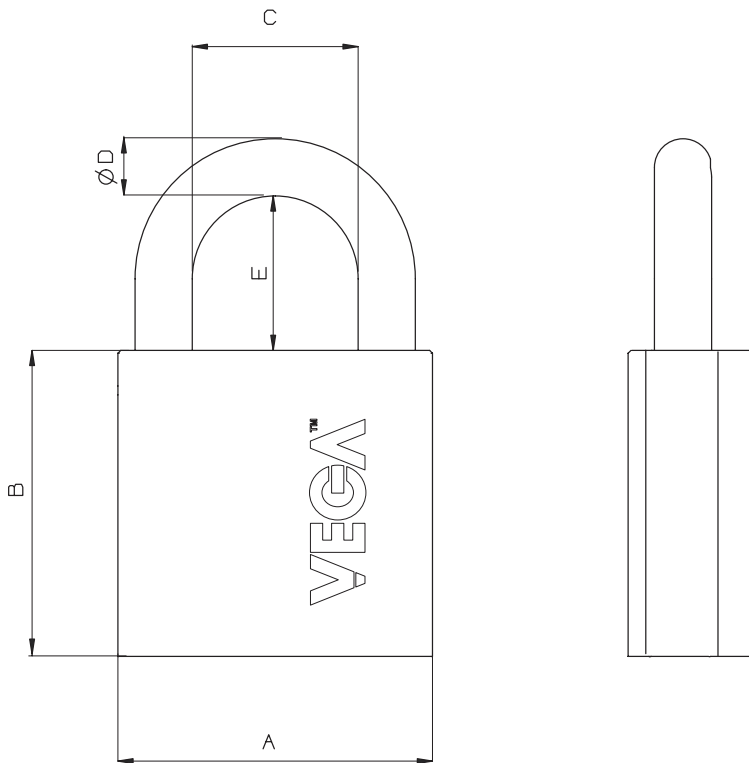


High Security Padlock



Application:

All Purpose High Security Padlock.



Operation:

Locked with double ball bearing mechanism. 90° key rotation to unlock.

Material:

Body: Stainless Steel
Shackle: Hardened Alloy Steel.

Padlock		A	B	C	D	E
H5-50	mm	50	51	25	8	26.5
H5-60	mm	60	55	30	12	27