

Euro Profile Cylinder

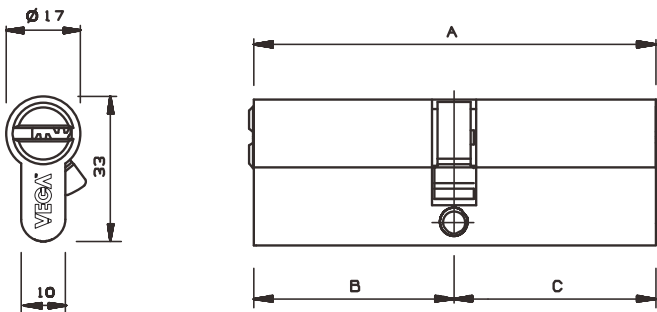


Euro profile cylinder represent the most common lock for locking doors.
Designed for use in various door widths and lock case consist of euro profile measures.

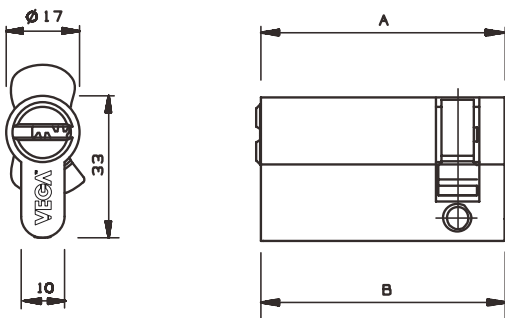
The VEGA cylinder lock protected by patents against unauthorized copying of keys, using VEGA unique and nano capsule system for higher security.



Double Cylinder



Single Cylinder



Operation:

360 rotation by operating the key or thumb turn.

Material:

Brass Body and plug, Nickel silver and stainless steel pins.

Standard Finish:

Nickel Chrome matt, nickel chrome, shiny brass.
(Antique bronze, black, antique brass and PVD are optional upon request).

Keys:

Reversible Nickel Silver keys with plastic key head.

(Optional all nickel silver key)

- All locks are made according to EN 1303 standard.

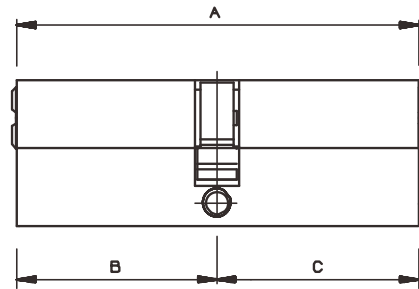
Euro Profile Cylinder



Lengths available (mm)

A	B	C
60	30	30
62	31	31
66	33	33
70	35	35
75	32.5	42.5
76	33	43
76	38	38
80	40	40
82	41	41
86	43	43

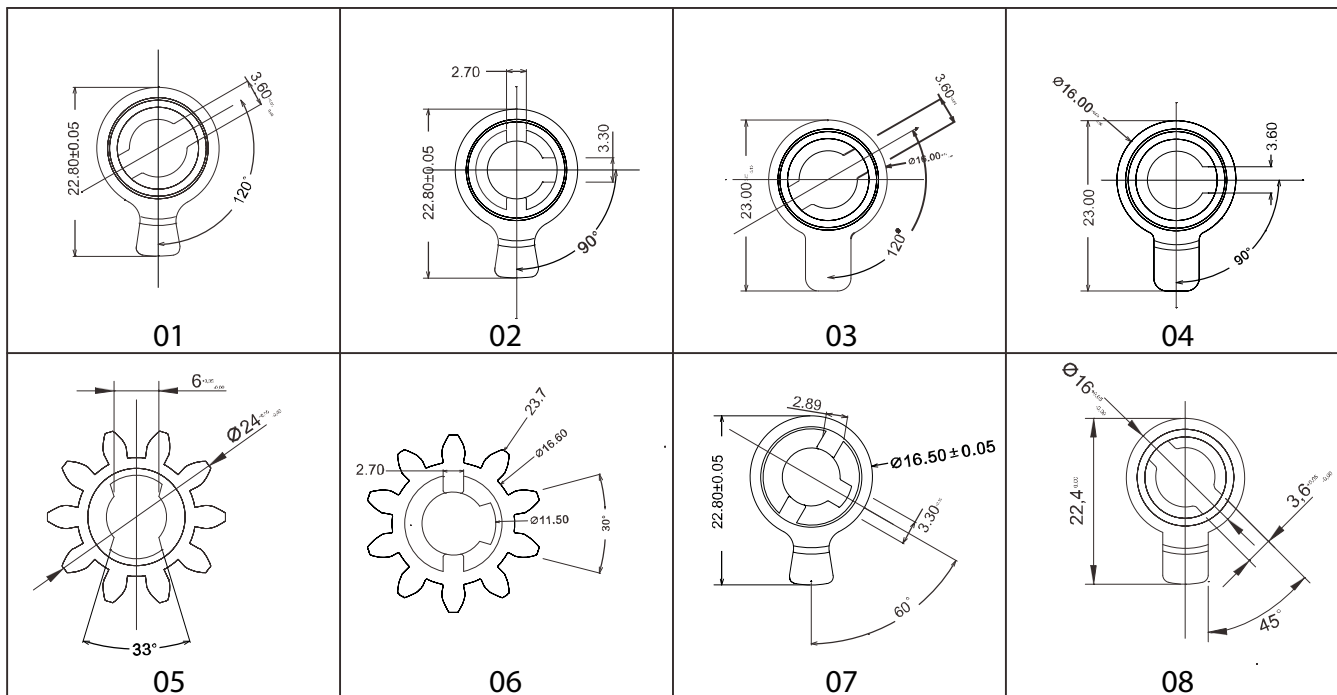
A	B	C
90	45	45
96	48	48
100	50	50
100	38	62
100	48	52
103	63	40
110	60	50
117	50	67
120	65	55



Additional lengths are available by special order.

Cylinder Cams

Options Available (mm)

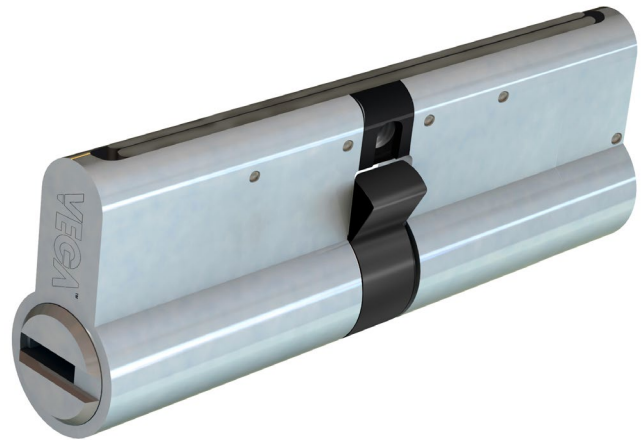


Euro Profile Cylinder



Reinforced Cylinder

Heavy duty hardened security bar for additional strength during breaking attempts.



Anti-Snap

Break secure cylinder against snapping attempts. Keeps the cylinder intact without breaking in the middle which allow burglar to rotate open the cylinder during attack. User can open the door with original key even if cylinder front is break.

